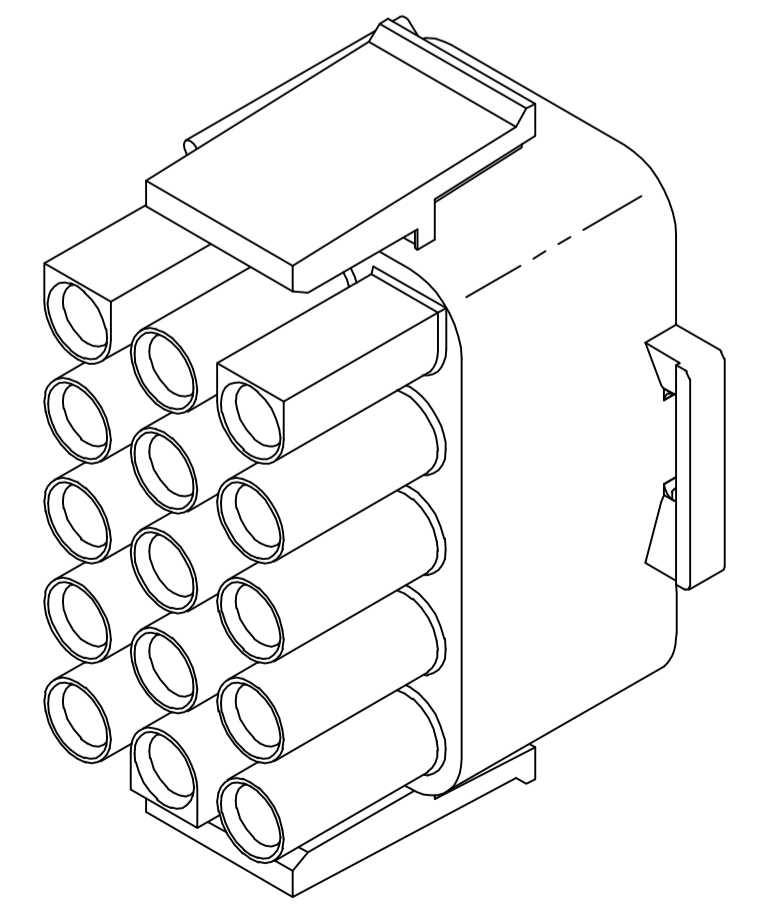
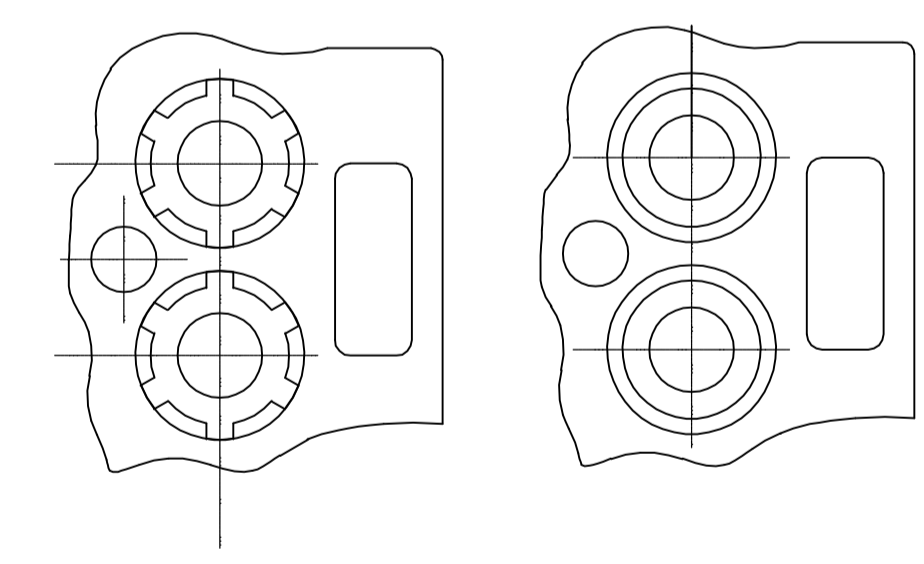
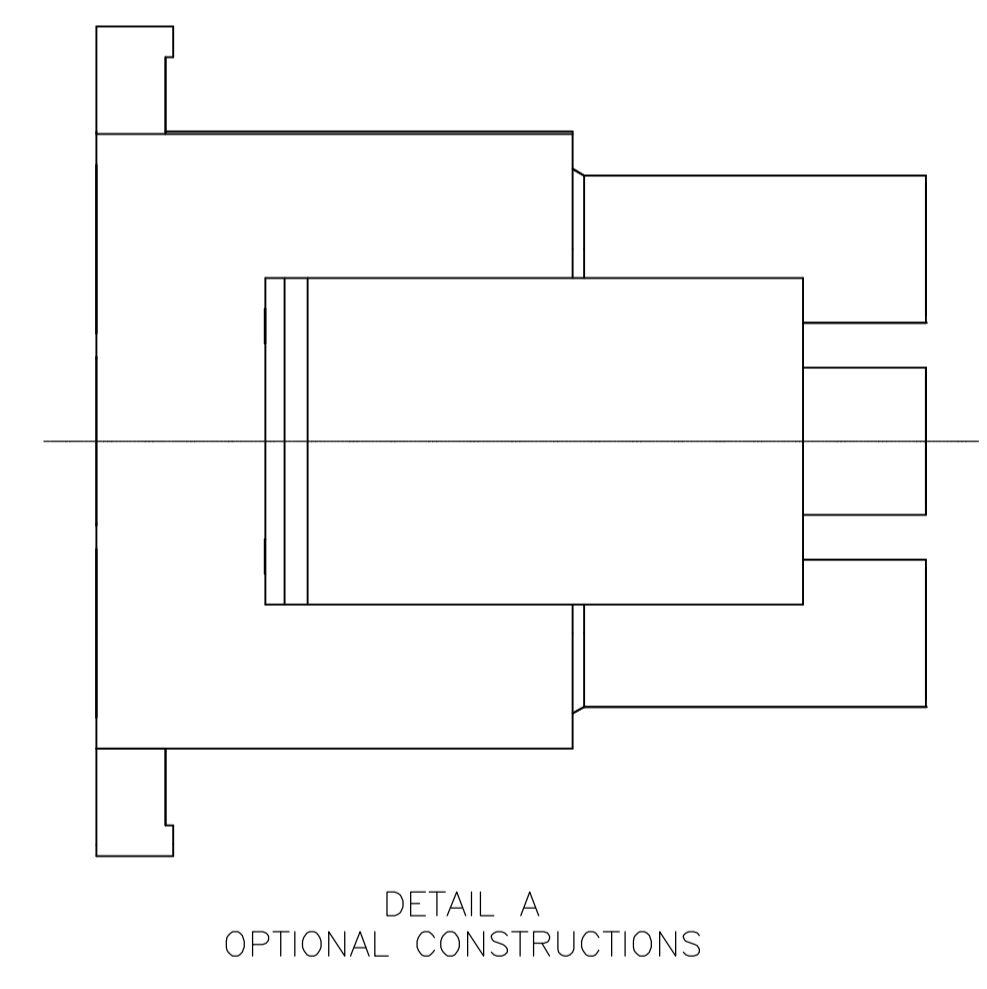


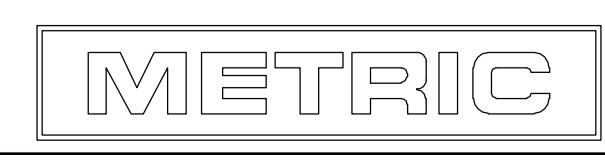
- MATES WITH APPROPRIATE UNIVERSAL MATE-N-LOK CAP OR HEADER.
 - SMALL NICKS ARE PERMITTED ON THE CIRCUIT TOWERS WHICH COULD INCREASE THE INITIAL HOUSING MATING FORCE BY UP TO 4.4 NEWTONS [1.0 LBS]. NO INDIVIDUAL NICKED TOWER SHALL INCREASE THIS FORCE BY OVER 2.2 NEWTONS [.5 LBS].
- △3 DIMENSION INDICATED IS AS MOLDED. ADDITIONAL GROWTH DUE TO SUBSEQUENT MOISTURE ABSORPTION MAY OCCUR.
- △4 FOUR RIBS EQUALLY SPACED, NO SPECIFIC ORIENTATION. NO RIBS OR SIX RIBS EQUALLY SPACED, NO SPECIFIC ORIENTATION, OPTIONAL.
- △5 UNDERWRITERS RECOGNIZED COMPONENT LOGO AND CSA CERTIFICATION LOGO TO BE LOCATED ONCE EACH ON SIDE OF HOUSING.



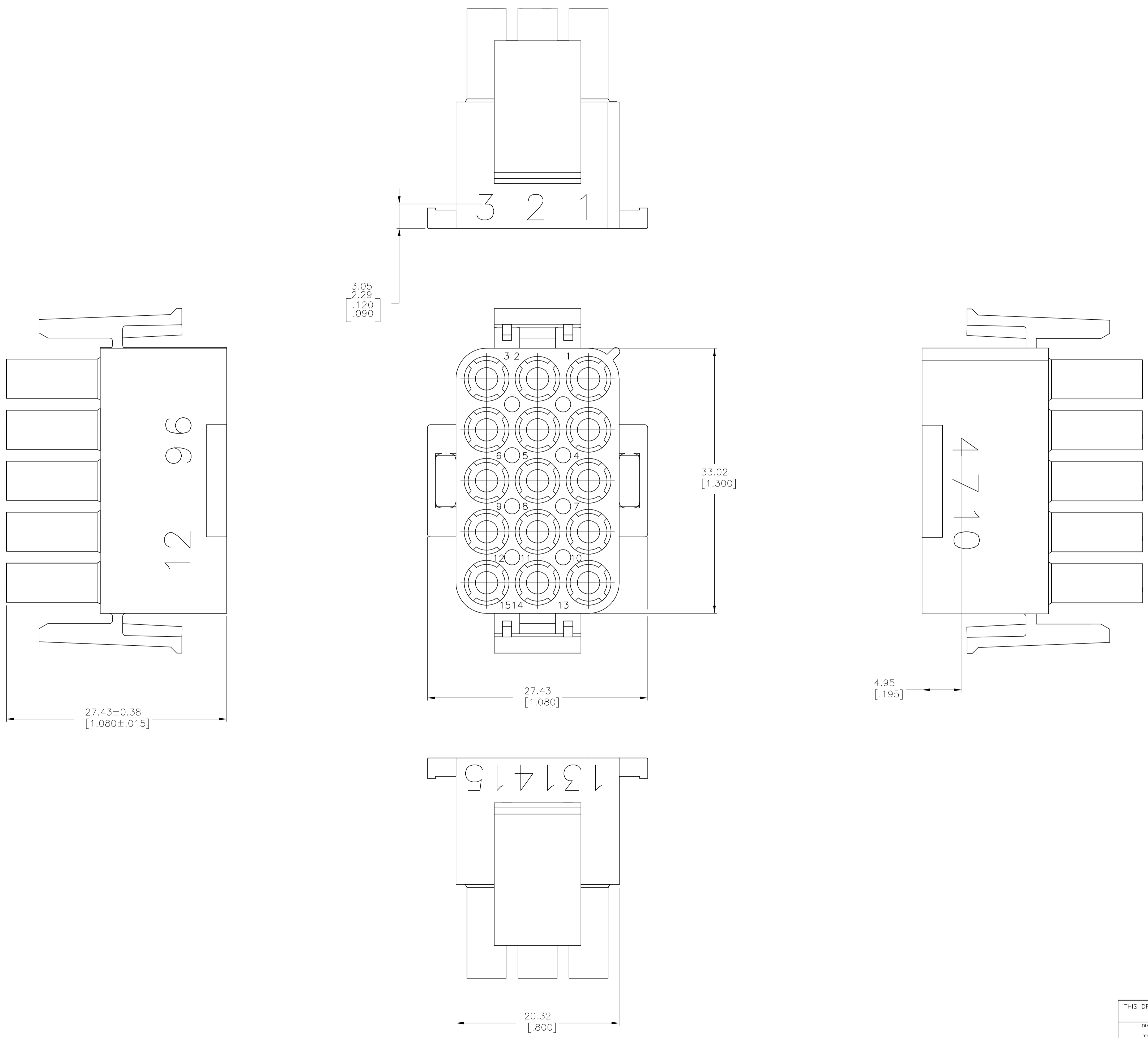
BLACK	1-480710-9
GRAY	1-480710-8
BLUE	1-480710-6
GREEN	1-480710-5
YELLOW	1-480710-4
ORANGE	1-480710-3
RED	1-480710-2
BROWN	1-480710-1
NATURAL	1-480710-0
COLOR	PART NUMBER

THIS DRAWING IS A CONTROLLED DOCUMENT.

DIMENSIONS: mm [INCHES]	TOLERANCES UNLESS OTHERWISE SPECIFIED:	DWN: K. WHITAKER 02SEP04	CHK: S. RIDGILL S. RIDGILL	APVD: S. RIDGILL	NAME: S. RIDGILL	tyco Electronics	Tyco Electronics Corporation Harrisburg, Pa 17105-3608
0 PLC ± -	1 PLC ± -	2 PLC ± 0.13 [.005]	3 PLC ± -	4 PLC ± -	ANGLES ± 0.30°	FINISH -	SIZE: A1
MATERIAL: NYLON, UL 94V-2	RESTRICTED TO: -	WEIGHT: -	CAGE CODE: 00779	DRAWING NO: 480710	CUSTOMER DRAWING	SCALE: 4:1	SHEET: 1 OF 2



LOC		DIST		REVISIONS			
P	LTR	DESCRIPTION	DATE	DWN	APVD		
CM	00	SEE SHEET 1	-	-	-		



1. STAMP NUMBERS 3.18 HIGH AT WIRE END OF HOUSING (12 POINT DAVID TYPE).
2. CHARACTERS TO BE POSITIONED ON HOUSING TO BE READ FROM WIRE END ONLY.
3. VIOLET, BLACK, BROWN, AND BLUE COLORED BLOCKS TO BE STAMPED WITH WHITE CHARACTERS. ALL OTHER COLORED BLOCKS TO BE STAMPED WITH BLACK CHARACTERS.

NATURAL	2-480710-0
COLOR	PART NUMBER

THIS DRAWING IS A CONTROLLED DOCUMENT.

DIMENSIONS: mm [INCHES]	TOLERANCES UNLESS OTHERWISE SPECIFIED: 0 PLC ± - 1 PLC ± - 2 PLC ± ± 0.13 [.005] 3 PLC ± - 4 PLC ± - ANGLES ± ± 0.30° FINISH -	DWN K. WHITAKER CHK S. RIDGILL APVD S. RIDGILL PRODUCT SPEC APPLICATION SPEC MATERIAL NYLON, UL 94V-2	02SEP04 S. RIDGILL NAME PLUG, 15 CIRCUIT, UNIVERSAL MATE-N-LOK SIZE A1 SCALE 4:1	 Tyco Electronics Corporation Harrisburg, Pa 17105-3608 DRAWING NO C=480710 SHEET 2 OF 2 REV AM
----------------------------	---	--	--	---

CUSTOMER DRAWING

METRIC